

Installation instructions for PZ4AL-02213-00

LEXUS GS 250; GS 250 F-sport; GS 450h

Under Run Protective Shield Engine Bay



Model Year:

GS 450h - 2012

GS 250 - 2012

Vehicle Code:

GWL10L-BEXQBW

GRL11L-BETQHW

Part Number:

PZ4AL-02213-00



Weight:

19.07 kg

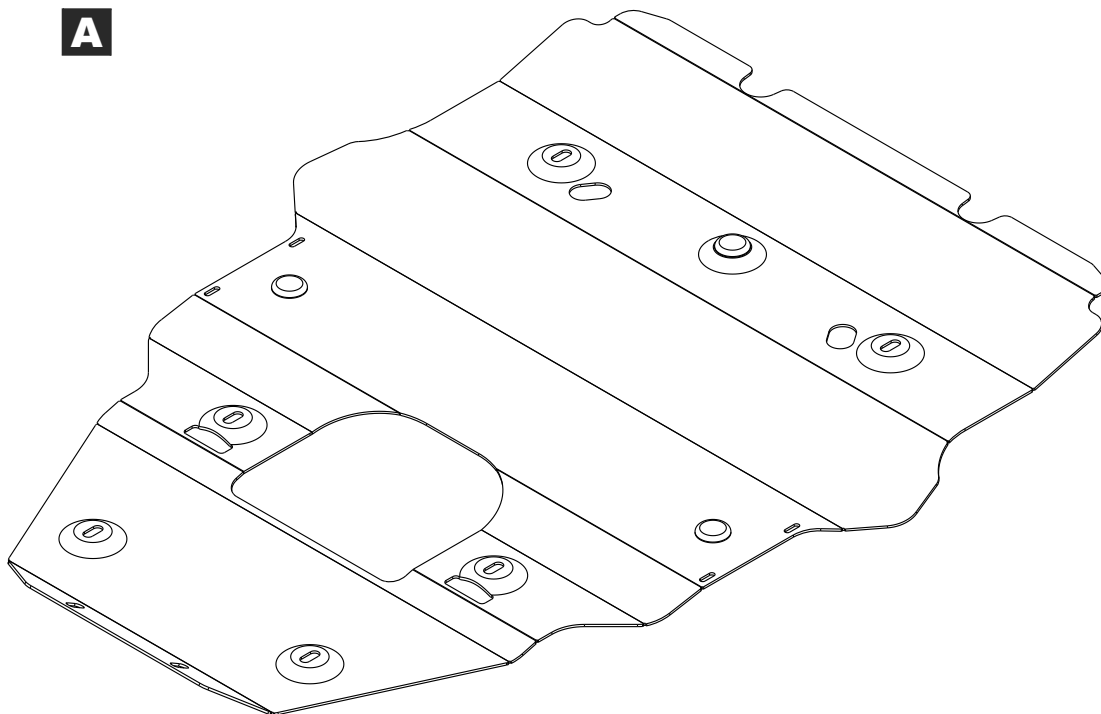


InstallationTime:

30 min

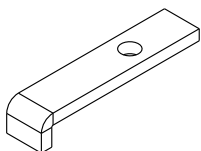
Part number: PZ4AL-02213-00

A



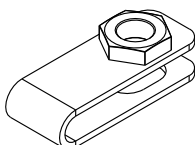
PZ4AL-02213-60

B



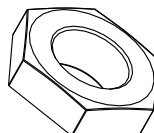
2x

C



2x

D



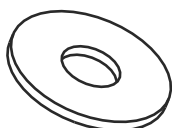
2x M10

E



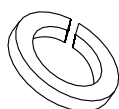
6x M10x25

F1

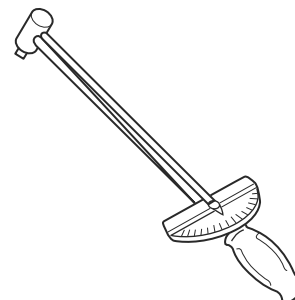
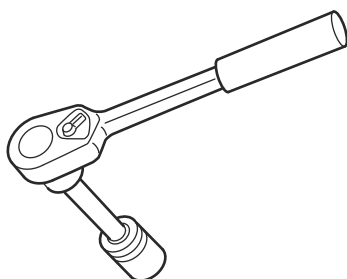


8x Ø10

F2



6x Ø10G



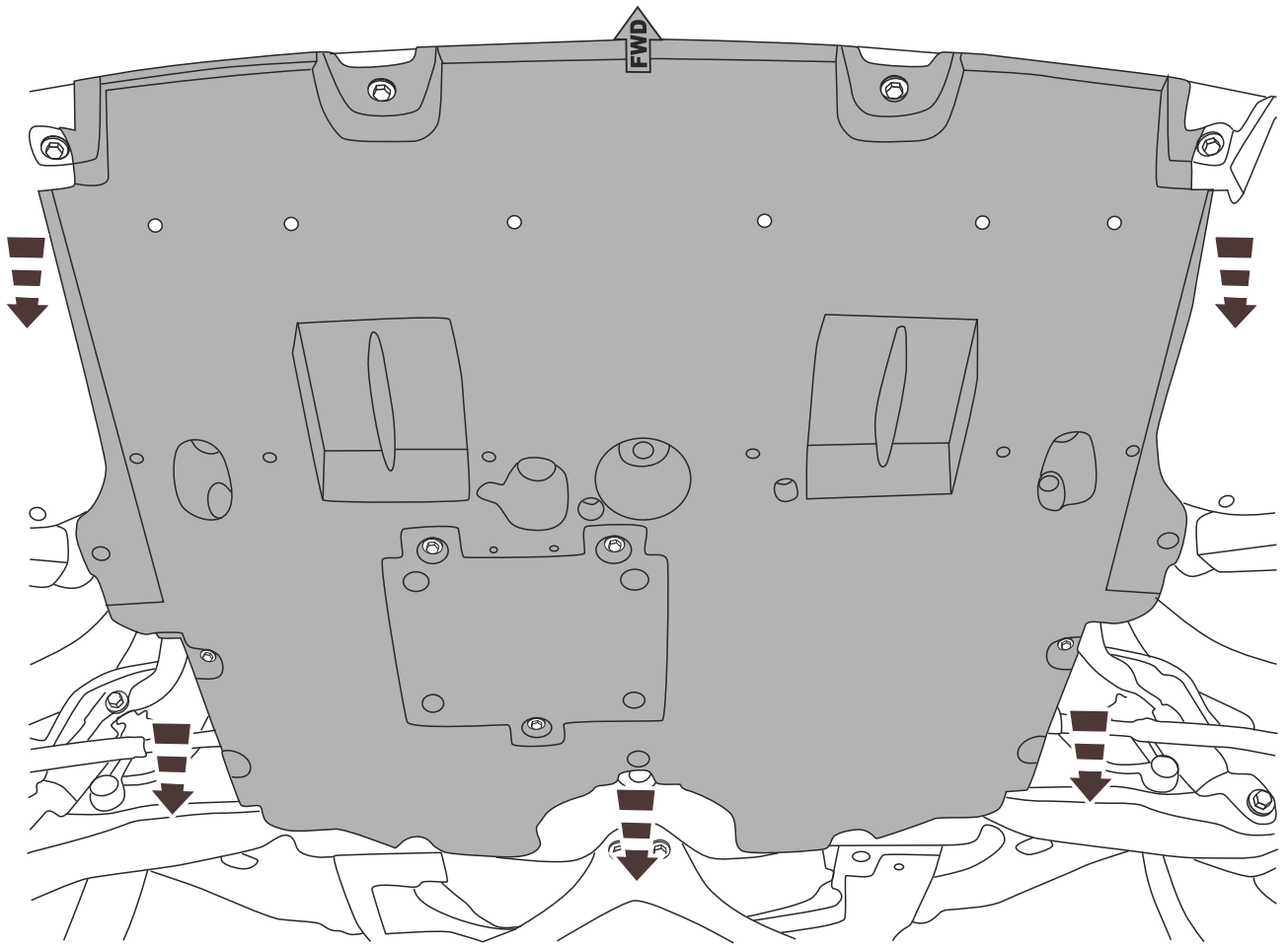
Part number:
PZ4AL-02213-00

Issue:
0

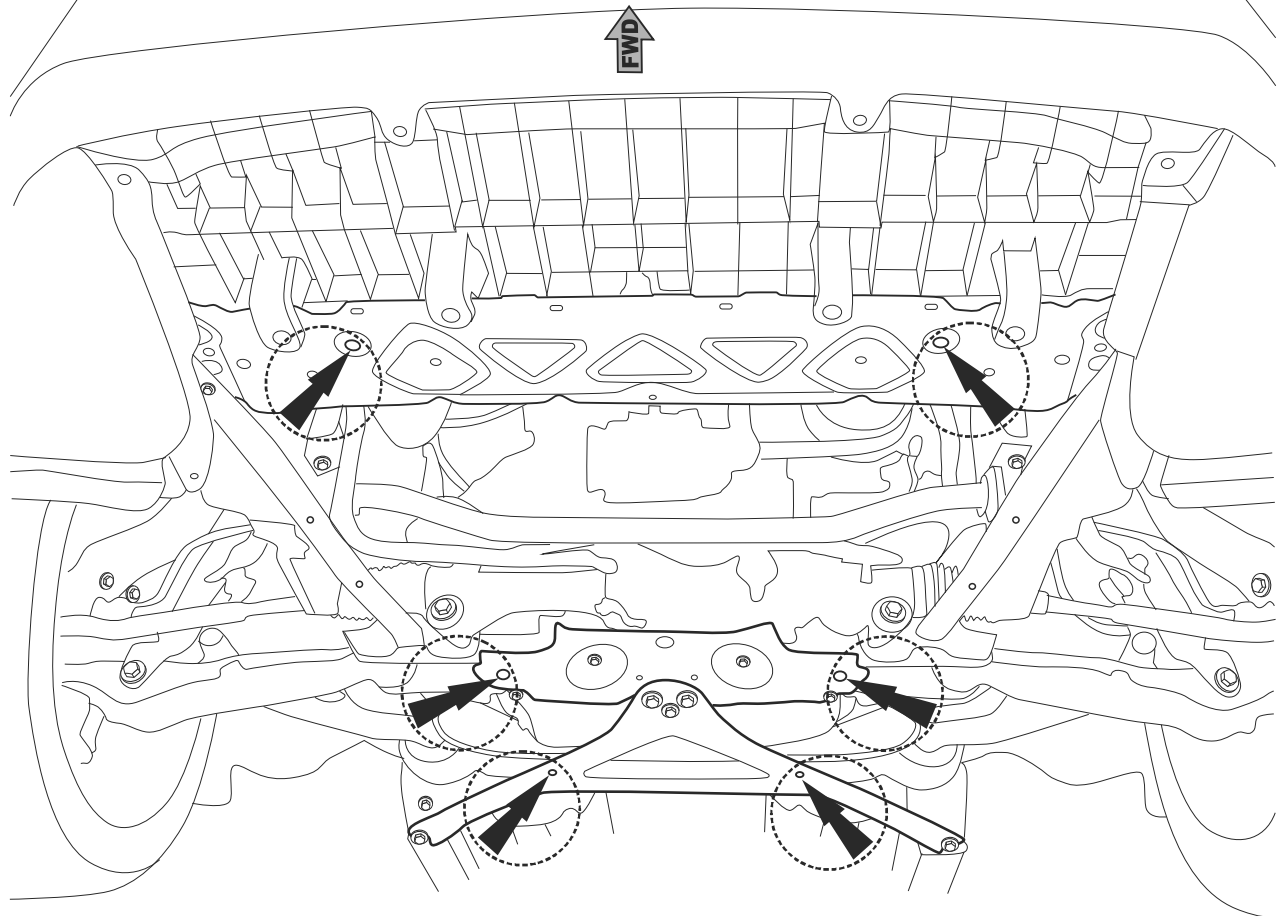
Date:
28/05/12

Page:
2/5

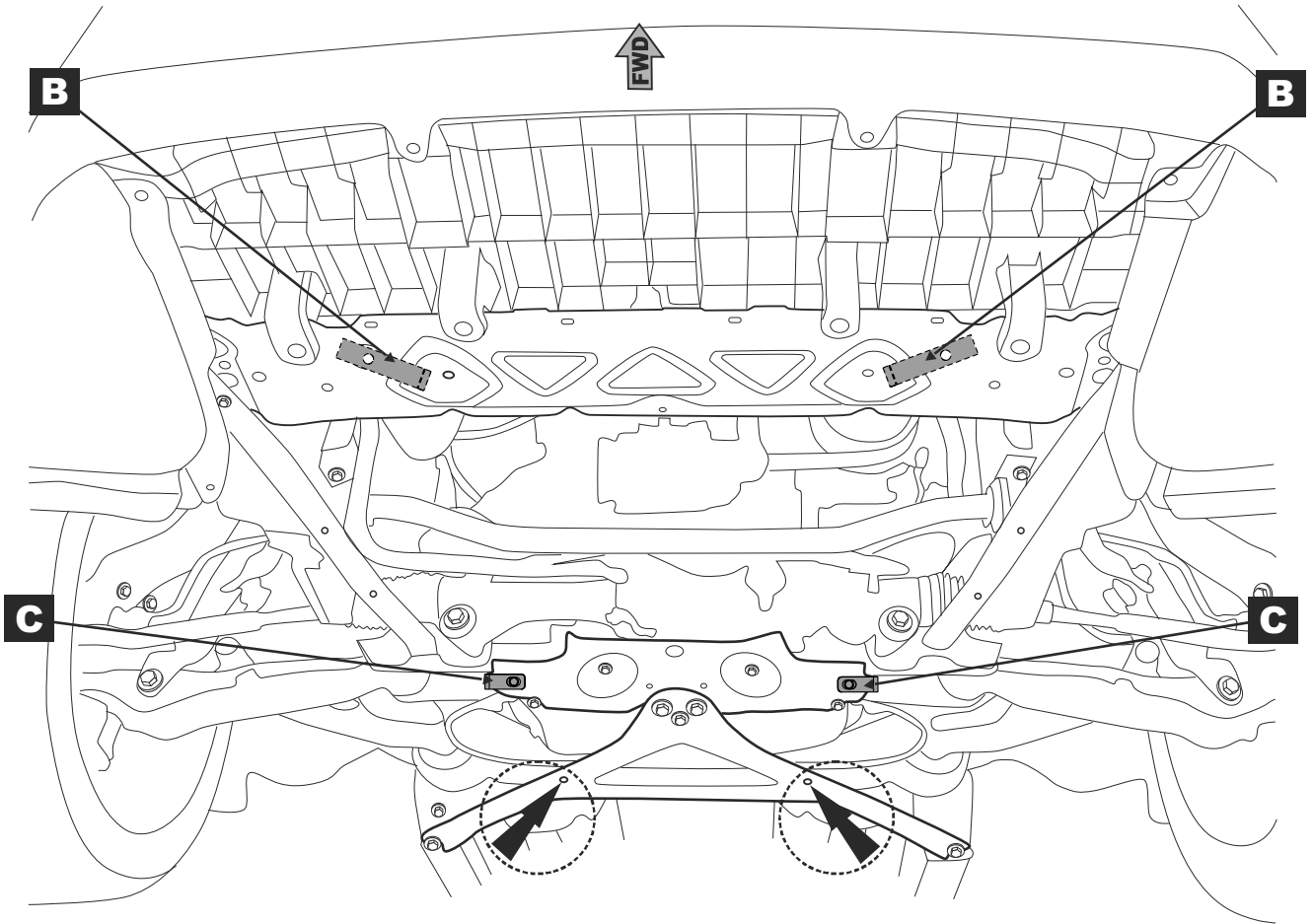
1



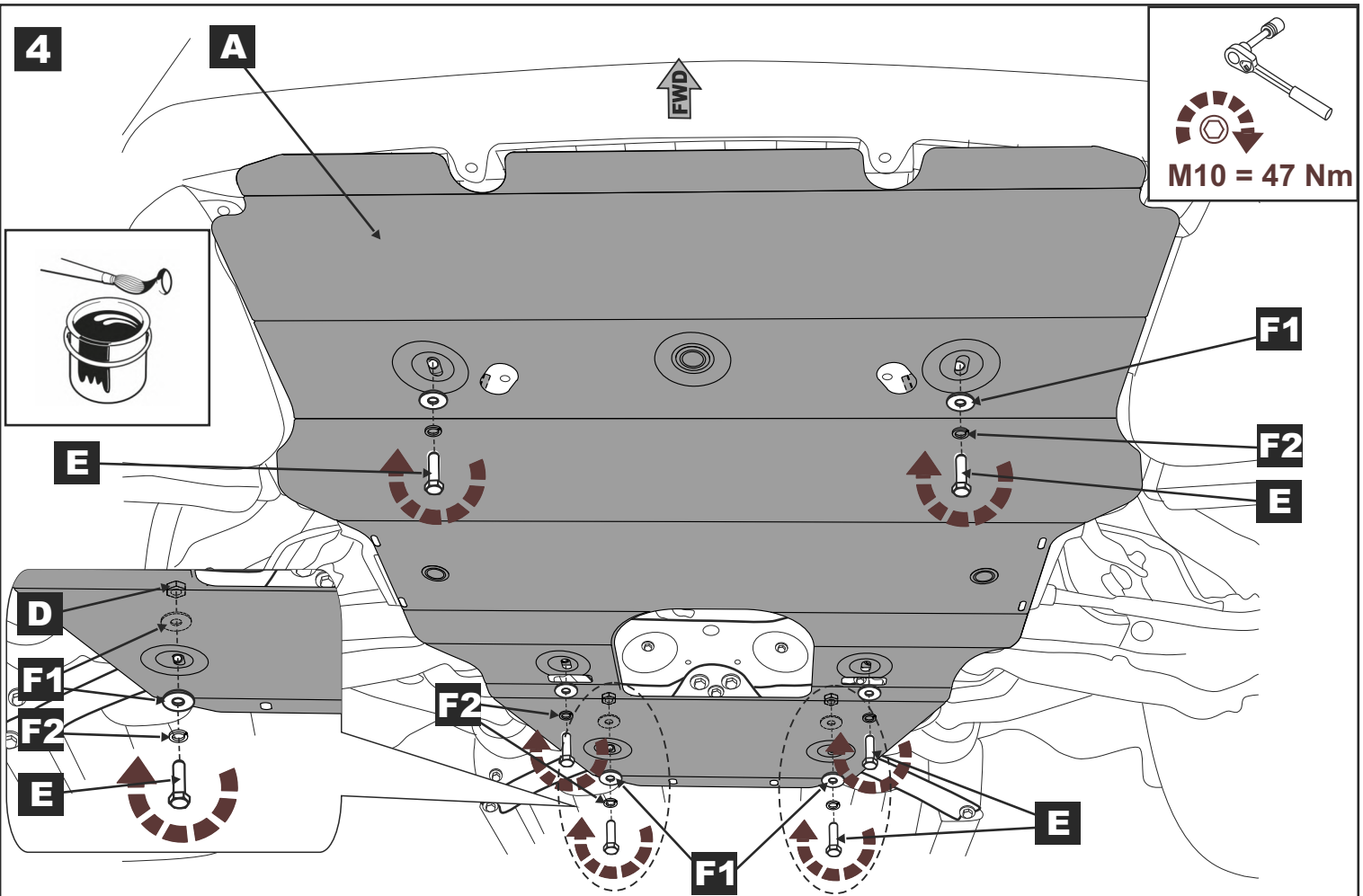
2



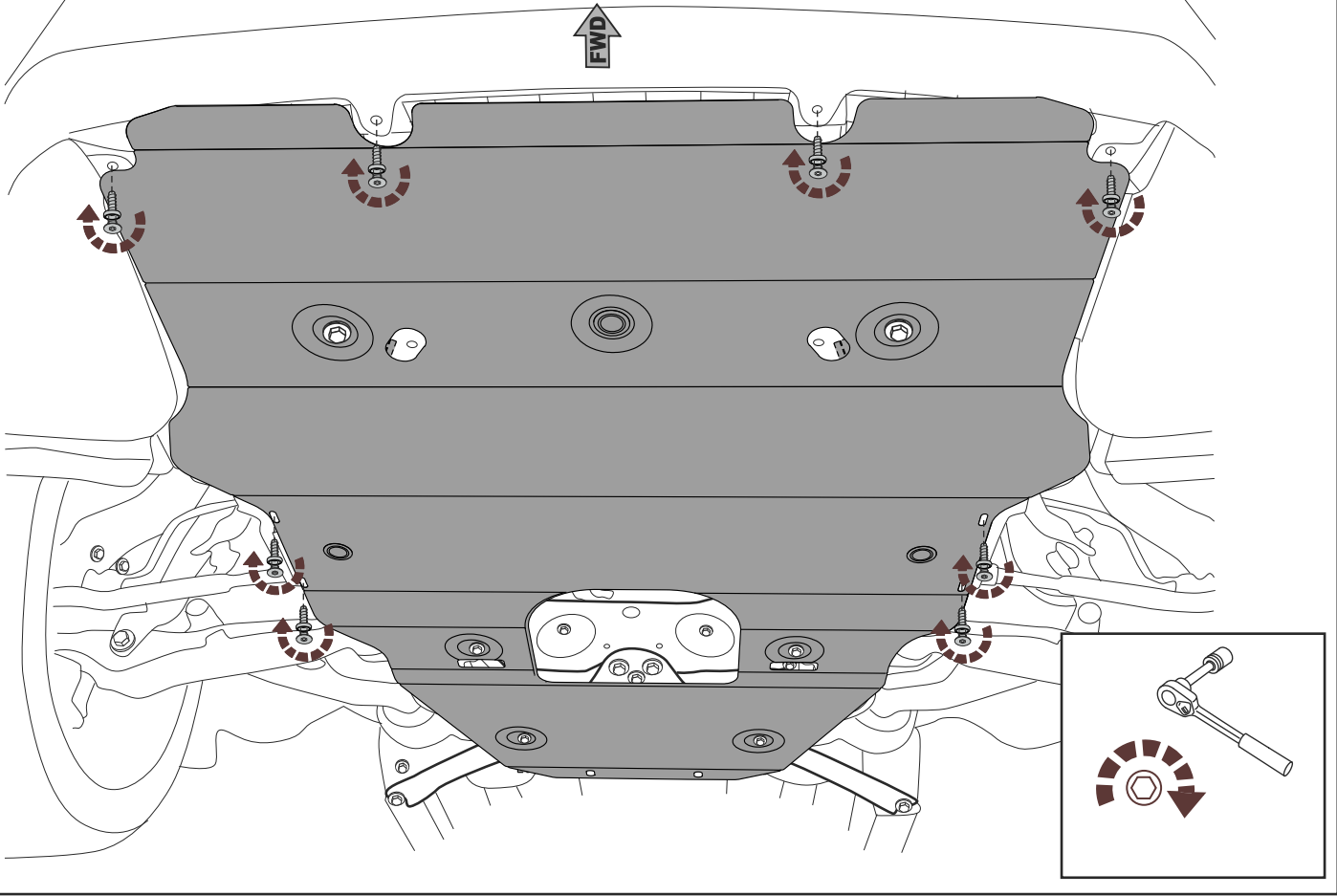
3



4



5



6

